

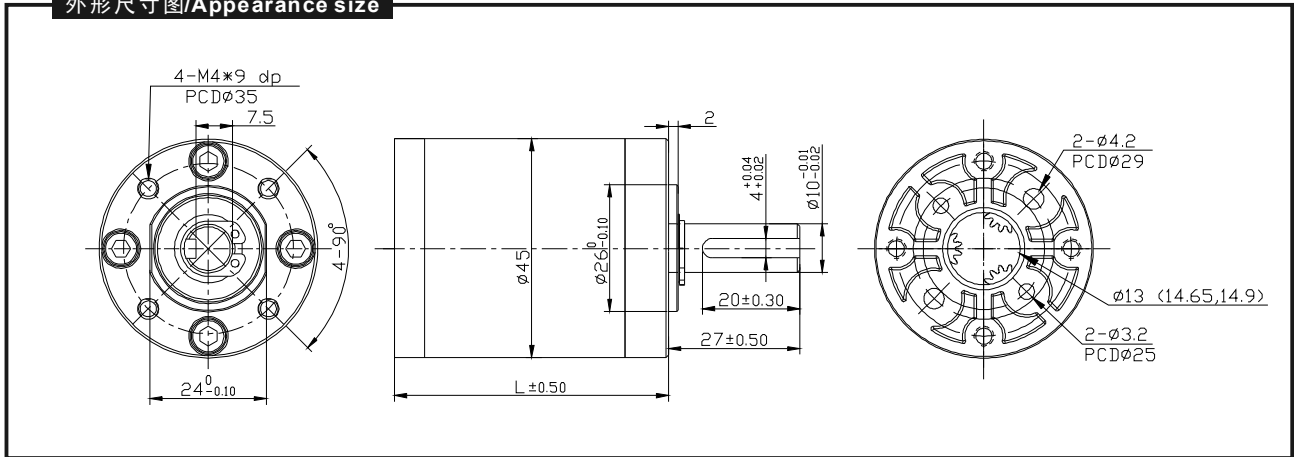
# PG45



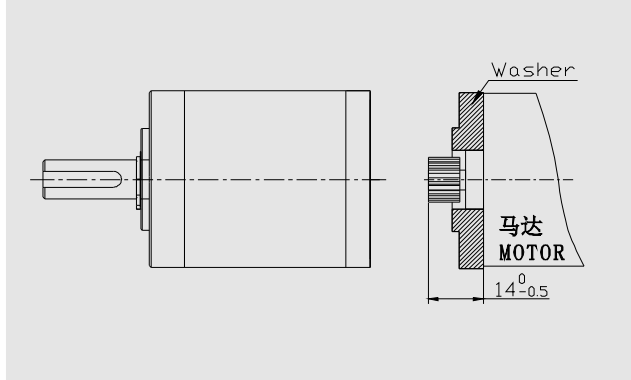
**Note:**

- 1、外壳材质(Housing material) : metal
- 2、背隙, 无负荷时 (Backlash, at no-load) :  $\leq 1.2^\circ$
- 3、轴承型号 (Bearing at output) : ball bearings
- 4、径向间隙 (Radial play of shaft) :  $\leq 0.05\text{mm}$
- 5、轴向间隙 (Thrust play shaft) :  $\leq 0.3\text{mm}$
- 6、齿轮箱适用于45ZY,RS-775马达。  
(The gear box can apply to 40ZY, RS-775 motors.)
- 7、警告: 齿轮箱齿轮极限扭矩 (损毁扭矩) 360kgf.cm。当使用低转速、高速比时, 尽量请选用低功率电机, 使用时请做好保护措施。  
(Attention: The breaking torque of the gear box is 360kgf.cm. When the motors using at low speed, high gear ratio, please choose low power motors, and do protection measurements.)

**外形尺寸图/Appearance size**



**马达装卸方法/Motor Installation**



**马达齿轮参数/Pinion Specifications**

模数 Module	0.6	0.6
齿数 NO. of teeth	17	21
压力角 Pressure angle	20°	
孔径 Hole diameter	Φ5	Φ3.17D(2.9),
减速比 Reduction ratio	3.7, 10.2, 13.7, 19.2, 32.5, 50.9, 71.2, 99.5, 139, 188, 264, 369, 699, 977, 1367, 1911.	5.2, 26.9, 516, 2672, 3736

使用温度范围/Operating temperature range: -10°C ~ +60°C

使用相对湿度/Operating relative humidity: 20% ~ 85%RH

**标准减速比参数/Gearboxes Specifications**

减速比 Reduction ratio	精确减速比 Reduction absolute	额定允许扭力 Rated tolerance torque	极限扭矩 Max breaking torque	效率 Efficiency	级数 Number of stages	齿轮箱长度 Gearbox length "L" mm
3.7	3 <sup>12</sup> /17	20.0kgf · cm	60.0kgf · cm	90%	1	33.6
10.2, 13.7, 19.2	10.179, 13 <sup>212</sup> /289, 19 <sup>38</sup> /187,	60.0kgf · cm	180.0kgf · cm	81%	2	44.9
32.5, 50.9, 71.2, 99.5,	32.476, 50 <sup>4397</sup> /4913, 71 <sup>524</sup> /3179, 99 <sup>1044</sup> /2057,	120kgf · cm	360kgf · cm	73%	3	56.2
139, 188, 264, 369, 516,	139.796, 188.611, 263.729, 368.763, 515.630,	120kgf · cm	360kgf · cm	65%	4	67.5
699, 977, 1367, 1911, 2672,	698.969, 977.347, 1366.593, 1910.864, 2671.901,	120kgf · cm	360kgf · cm	59%	5	78.8