



PG36BL36

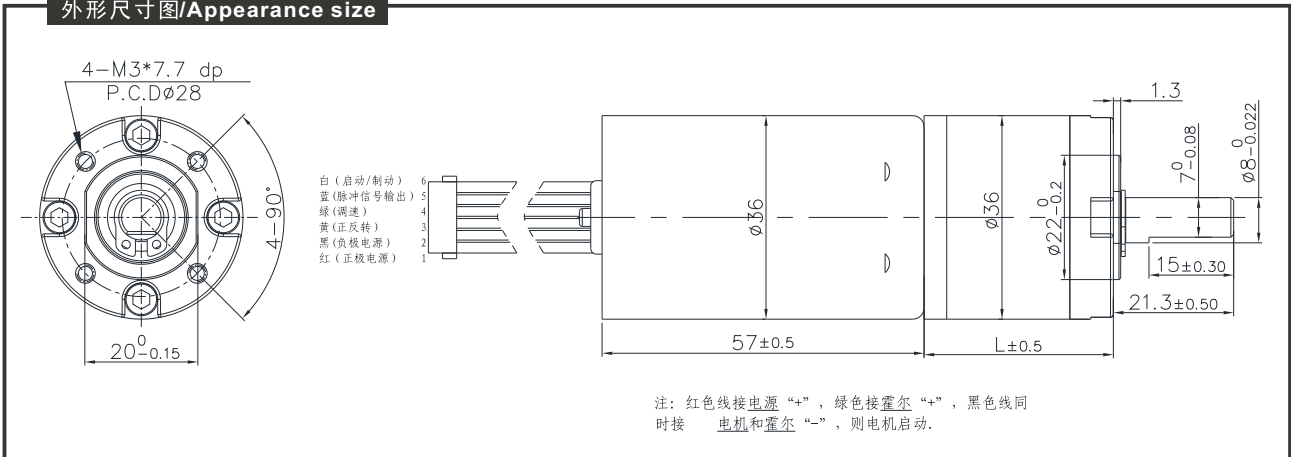


适用范围/Typical applications:

蠕动泵、微型数控设备、自动取款机、输卡机、遥控窗帘、过胶机、油印机、办公设备、家用电器、自动执行器等。

Peristaltic pump, Micro CNC equipment, ATM bank automatic system, Card conveyors, Auto shutter, Binding machine, Mimeograph, Office equipment, Household appliances, Automatic actuator.

外形尺寸图/Appearance size



减速马达力矩和转速/Geard Motor Torque/Speed

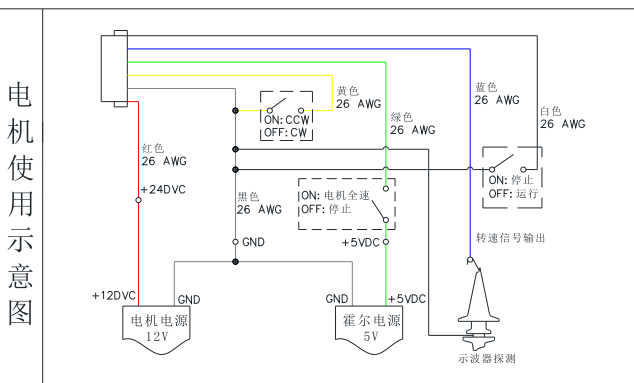
级数 Number of stages	1 stages reduction	2 stages reduction	3 stages reduction	4stages reduction	5stages reduction
减速比Reduction ratio	3.7, 5.2	13.7, 19.2, 26.9	50.9, 71.2, 99.5, 139,	188, 264, 369, 516, 721,	699, 977, 1367, 1911, 2672, 3736,
齿轮箱长度 Gearbox length "L" mm	25.1	32.3	38.5	44.7	50.9
最大额定力矩 Max. Running torque	10Kgf · cm	20Kgf · cm	50Kgf · cm	50Kgf · cm	50Kgf · cm
最大损坏扭力 Max. Gear breaking torque	30Kgf · cm	60Kgf · cm	150Kgf · cm	150Kgf · cm	150Kgf · cm
效率Gearing efficiency	90%	81%	73%	65%	59%

无刷马达清单BrushlessMotor data:

马达型号 Motor name	额定电压 Rated Volt. V	空载No load		负载扭矩Load torque				堵转扭矩 Stall torque	
		Current	Speed	Current	Speed	Torque	Output power	Torque	Current
		mA	r/min	mA	r/min	gf · cm	W	gf · cm	mA
BI36244900	24	≤220	4900	≤760	4000	300	13.3	2442	5288
BI36126000	12	≤460	6000	≤2408	4658	342	13.6	1565	9217

1、减速后的输出力矩 = 马达力矩 X 减速比 X 齿轮效率。输出转速 = 马达转速 / 减速比。

1、After connecting motor and gearbox which is named gearmotor the output torque: motor torque X reduction ratio X gearing efficiency; output speed: motor speed / reduction ratio.



NOTE:

- 1、马达命名：如PG36BL36244900-99.5K。马达参数如马达清单上的BL36244900，齿轮减速比参数如齿轮箱清单上的99.5，马达的输出转速和输出力矩请参照上表的马达清单。
- 2、标准输出轴为 .0mm，其它尺寸可根据客户要求制作。
- 3、以上参数仅作参考，具体以实物为准。

- 1、Gearmotor named methods: e.g. PG36BL36244900-99.5K Motor please refer to the motor data BL36244900. Gearbox please refer to gearbox data reduction ratio 99.5. Related to gearmotor output speed and torque please refer to motor data.
- 2、Standard output shaft after reducing: .0mm. other sizes of the output shaft can make as client request.
- 3、Chart only for reference, products shall prevail the entity.

电机使用示意图