

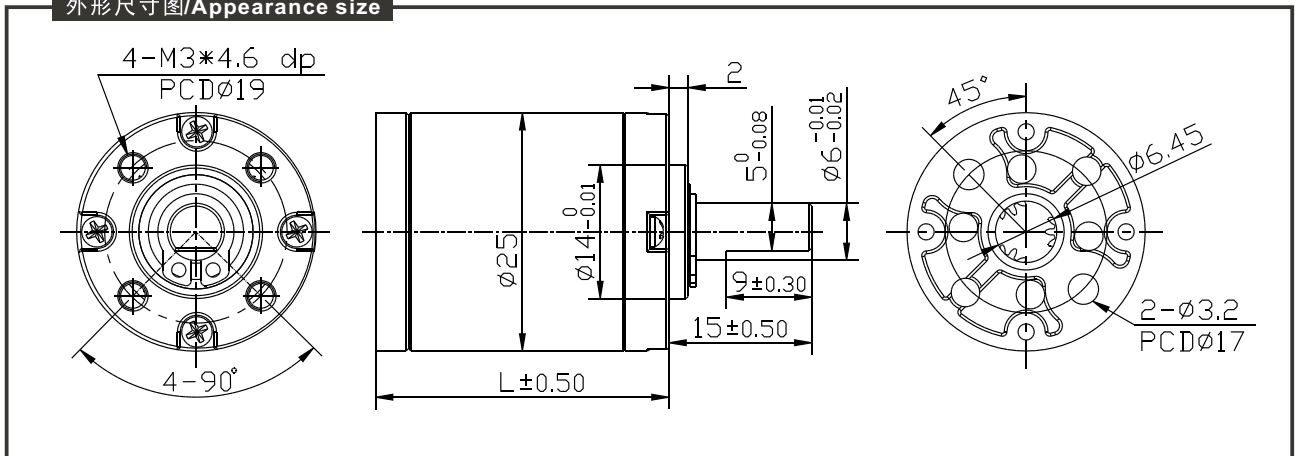
PG25



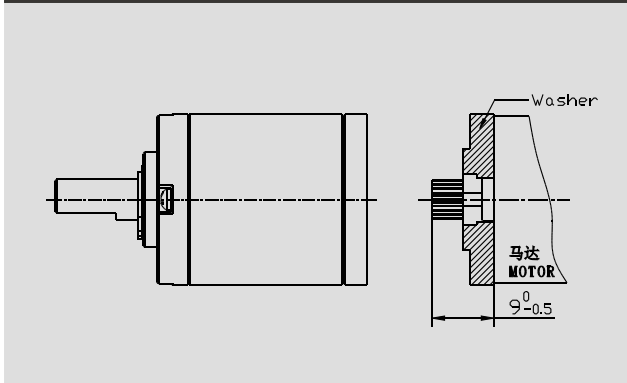
Note:

- 1、外壳材质(Housing material): metal
- 2、背隙,无负荷时 (Backlash,at no-load) : $\leq 1.2^\circ$
- 3、轴承型号 (Bearing at output) : Sleeve bearings
- 4、径向间隙 (Radial play of shaft) : $\leq 0.05\text{mm}$
- 5、轴向间隙 (Thrust play shaft) : $\leq 0.2\text{mm}$
- 6、齿轮箱适用于RF-370马达。
(The gear box can apply to RF-370 motors.)
- 7、警告: 齿轮箱齿轮极限扭矩 (损毁扭矩) 30kgf.cm。当使用低转速、高速比时, 尽量请选用低功率电机, 使用时请做好保护措施。
(Attention: The breaking torque of the gear box is 30kgf.cm.
When the motors using at low speed,high gear ratio, please choose low power motors, and do protection measurements.)

外形尺寸图/Appearance size



马达装卸方法/Motor Installation



马达齿轮参数/Pinion Specifications

模数 Module	0.4	0.4
齿数 NO. of teeth	12	15
压力角 Pressure angle	20°	
孔径 Hole diameter	1.98, 8,	
减速比 Reduction ratio	4.25, 15.3, 18, 55, 65, 76.8, 198, 234, 276, 326, 713, 842, 994, 1174, 1386	3.6, 13, 36, 46.7, 114, 130, 168, 467, 604.6

使用温度范围/Operating temperature range: $-10^\circ\text{C} \sim +60^\circ\text{C}$

使用相对湿度/Operating relative humidity: 20%~85%RH

标准减速比参数/Gearboxes Specifications

减速比 Reduction ratio	精确减速比 Reduction absolute	额定允许扭力 Rated tolerance torque	极限扭矩 Max breaking torque	效率 Efficiency	级数 Number of stages	齿轮箱长度 Gearbox length "L" mm
3.6, 4.25	33/5, 41/4	3.0kgf·cm	9.0kgf·cm	90%	1	18.3
13, 15.3, 18	1224/25, 153/10, 191/16	5.0kgf·cm	15.0kgf·cm	81%	2	25.0
36, 46.7, 55, 65, 76.8	361/10, 4682/125, 552/25 651/40, 7649/64	10.0kgf·cm	30.0kgf·cm	73%	3	30.8
114, 130, 168, 198, 234, 276, 326	11419/60, 12924/25, 167601/625 198.288, 234.09, 276.36, 326.25	10.0kgf·cm	30.0kgf·cm	65%	4	36.6
467, 604, 713, 842 994, 1174, 1386	467.856, 604.66, 713.84, 842.724 994.8825, 1174.514, 1386.579	10.0kgf·cm	30.0kgf·cm	59%	5	42.4