

# PG22M180

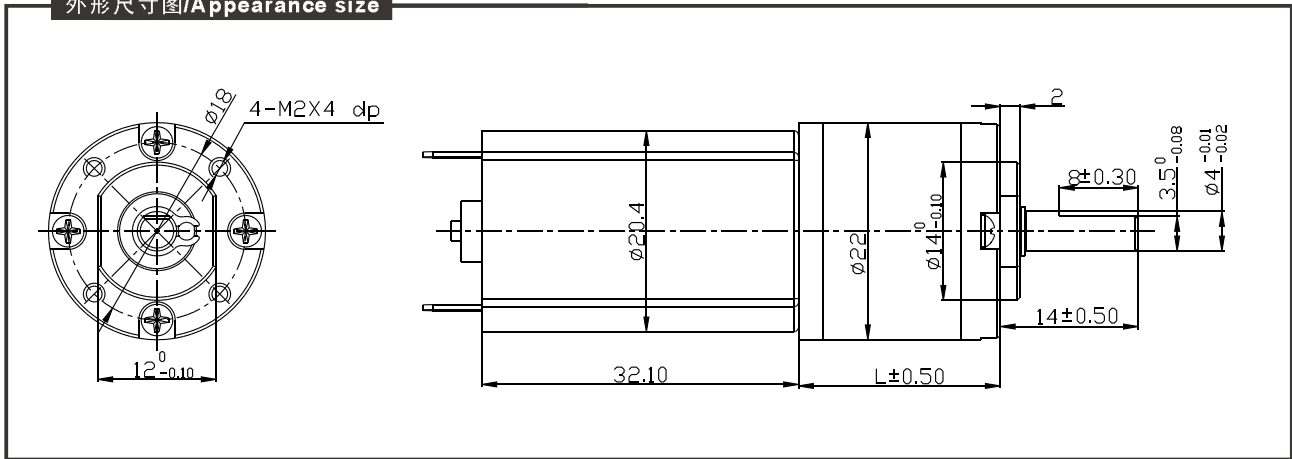


**适用范围/Typical applications:**

光学仪器、调焦照相机、指纹锁、自动节能器、水表IC卡、玩具礼品、办公设备、家用电器、自动执行器等。

Optical equipment, Monitoring cameras, Kind of finger-electroni locks, Automatic energy saving bath, Water IC card, Toys and gifts, Office equipment, Household appliances, Automatic actuator.

外形尺寸图/Appearance size



齿轮箱清单/Gearbox data:

级数 Number of stages	1 stages reduction	2 stages reduction	3 stages reduction	4stages reduction	5stages reduction
减速比 Reduction ratio	3.5, 4	12.3, 16, 19	42.8, 64, 90	150, 256, 304, 361, 428,	712, 1024, 1263 1444, 1500, 2036,
齿轮箱长度 Gearbox length "L" mm	13.9	17.5	21.1	24.7	28.3
最大额定力矩 Max. Running torque	1.0Kgf · cm	2.0Kgf · cm	4.0Kgf · cm	4.0Kgf · cm	4Kgf · cm
最大损坏扭力 Max. Gear breaking torque	3.0Kgf · cm	6.0Kgf · cm	12Kgf · cm	12Kgf · cm	12Kgf · cm
效率Gearing efficiency	90%	81%	73%	65%	59%

马达清单Motor data:

马达型号 Motor name	额定电压 Rated Volt. V	空载No load		负载扭矩Load torque				堵转扭矩 Stall torque	
		Current	Speed	Current	Speed	Torque	Output power	Torque	Current
		mA	r/min	mA	r/min	gf · cm	W	gf · cm	mA
RF-180129000	12	≤58	9000	≤300	7200	25	1.8	90	950
RF-1801215000	12	≤80	15000	≤450	12000	30	2.5	120	1550
RF-180249000	24	≤25	9000	≤240	7200	25	1.8	90	650
RF-1802415000	24	≤30	15000	≤255	12000	30	2.5	120	830

1、减速后的输出力矩=马达力矩X减速比X齿轮效率。输出转速=马达转速/减速比。

1、After connecting motor and gearbox which is named gearmotor the output torque: motor torque X reduction ratio X gearing efficiency; output speed: motor speed / reduction ratio.

**NOTE:**

- 1、马达命名: 如PG221802415000-90K。马达参数如马达清单上的RF-1802415000, 齿轮减速比参数如齿轮箱清单上的90, 马达的输出转速和输出力矩请参照上表的马达清单。
- 2、马达可安装译码器。
- 3、标准输出轴为 .0mm, 其它尺寸可根据客户要求制作。
- 4、以上参数仅作参考, 具体以实物为准。
- 1、 Gearmotor named methods: e.g. PG221802415000-90K Motor please refer to the motor data RF-1802415000. Gearbox please refer to gearbox data reduction ratio 90. Related to gearmotor output speed and torque please refer to motor data.
- 2、 Motor can be installed with magnetic encoder.
- 3、 Standard output shaft after reducing: .0mm. other sizes of the output shaft can make as client request.
- 4、 Chart only for reference, products shall prevail the entity.