



PG45ZY45

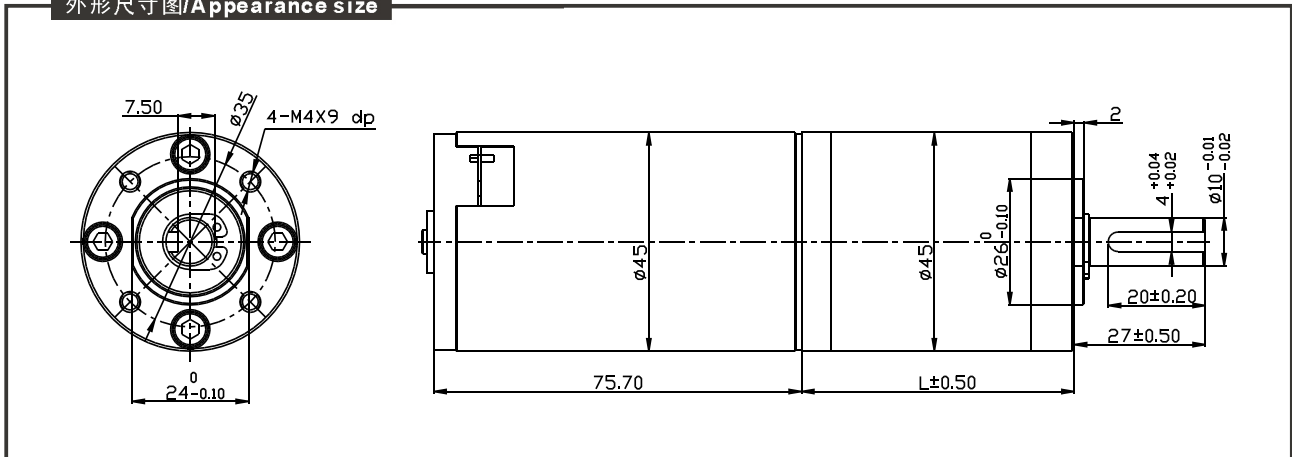


适用范围/Typical applications:

监控云台/云台、烘烤架、烤炉、清洗机、垃圾处理机、捆钞机、医疗食品、稳压器、游戏机、灌流泵、办公设备、家用电器。

Pan/Tilt cameras, Grill, Oven, Cleaning machine, Garbage disposers, Packing bank note machine, Coffee machine, Medical machine, Manostat, Amusement equipment, infusion pumps, Office equipment, Household appliances, Automatic actuator.

外形尺寸图/Appearance size



齿轮箱清单/Gearbox data:

级数 Number of stages	1 stages reduction	2 stages reduction	3 stages reduction	4stages reduction	5stages reduction
减速比Reduction ratio	3.7	10.2, 13.7, 19.2,	32.5, 50.9, 71.2, 99.5,	139, 188, 264, 369, 516,	699, 977, 1367, 1911, 2672, 3736,
齿轮箱长度 Gearbox length "L" mm	33.6	44.9	56.2	67.5	78.8
最大额定力矩 Max. Running torque	20Kgf · cm	60Kgf · cm	120Kgf · cm	120Kgf · cm	120Kgf · cm
最大损坏扭力 Max. Gear breaking torque	60Kgf · cm	180Kgf · cm	360Kgf · cm	360Kgf · cm	360Kgf · cm
效率Gearing efficiency	90%	81%	73%	65%	59%

马达清单/Motor data:

马达型号 Motor name	额定电压 Rated Volt. V	空载No load		负载扭矩Load torque				堵转扭矩Stall torque	
		Current	Speed	Current	Speed	Torque	Output power	Torque	Current
		mA	r/min	mA	r/min	gf · cm	W	gf · cm	A
ZY45123000	12	≤210	3000	≤1200	2430	390	9.5	2470	6.6
Zy45124500	12	≤440	4500	≤2050	3710	480	17.8	2706	10.2
ZY45126000	12	≤630	6000	≤4150	5240	610	31.9	4700	20.3
ZY45243000	24	≤120	3000	≤620	2590	380	9.84	2160	3.4
ZY45244500	24	≤270	4500	≤1340	3850	490	18.8	3233	5.5
ZY45246000	24	≤360	6000	≤2050	5120	650	33.2	4715	12.2

1、减速后的输出力矩 = 马达力矩 X 减速比 X 齿轮效率。输出转速 = 马达转速 / 减速比。
 1、After connecting motor and gearbox which is named gearmotor the output torque: motor torque X reduction ratio X gearing efficiency; output speed: motor speed / reduction ratio.

NOTE:

- 1、马达命名: 如PG45ZY45123000-99.5K。马达参数如马达清单上的ZY45123000, 齿轮减速比参数如齿轮箱清单上的99.5, 马达的输出转速和输出力矩请参照上表的马达清单。
 - 2、马达可安装的译码器参数请参照第45页。
 - 3、标准输出轴为 0mm, 其它尺寸可根据客户要求制作。
 - 4、以上参数仅作参考, 具体以实物为准。
- 1、Gearmotor named methods: e.g. PG45ZY45123000-99.5K Motor please refer to the motor data ZY45123000. Gearbox please refer to gearbox data reduction ratio 99.5. Related to gearmotor output speed and torque please refer to motor data.
- 2、Motor can be installed with magnetic encoder, encoder parameters please refer to Page 45.
 - 3、Standard output shaft after reducing: 10.0mm. other sizes of the output shaft can make as client request.
 - 4、Chart only for reference, products shall prevail the entity.